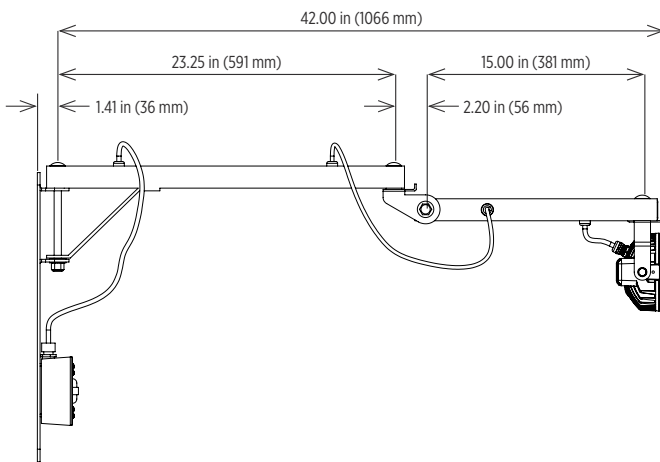




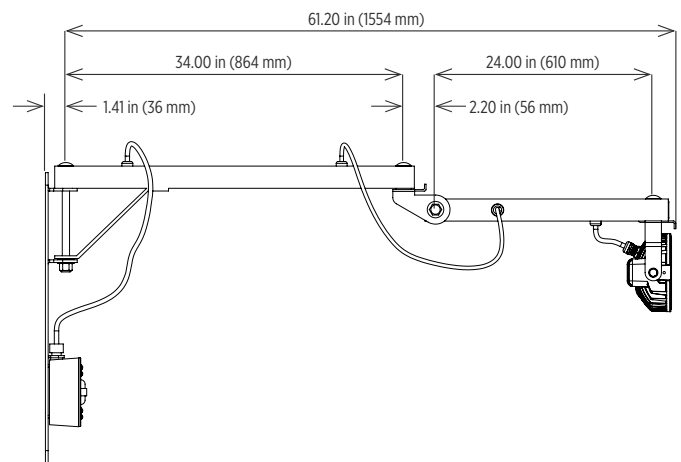
9W wet location light designed to replace up to 150W incandescent light heads
Fully illuminates a 53 foot trailer with an even light distribution
Durable, compact design to endure accidental impact
LED technology increases efficiency, eliminates maintenance and supports green initiatives

Dimensions

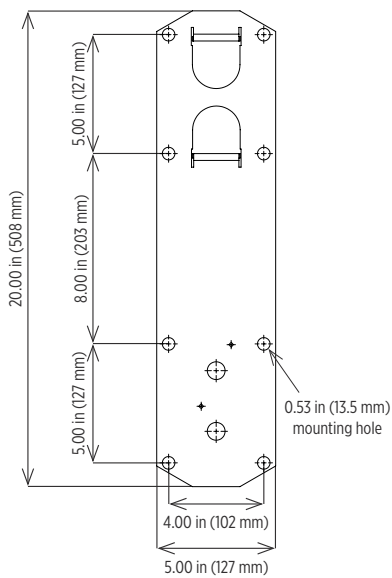
42 inch Arm



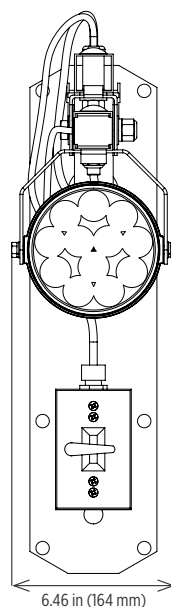
60 inch Arm



Mounting Plate



Fixture View



Specifications

Construction	Marine grade, low-copper content aluminum housing
Finish	Safety yellow powder coat
Hardware	Marine grade (316) stainless steel hardware on light head Zinc plated hardware on arm
Arm	42 or 60 inch available 1.50 in (38 mm) square steel tube arms with wrist-action joint
Lens	Clear impact resistant polycarbonate (CP)
Light source	Osram light emitting diodes (LED) 9W, up to 1200 lumens 25° spot (SP) and 50° flood (FL) optics available CRI ≥ 70 CCT 4000K 50,000 hour rated life
Power source	120V, 60Hz
Wiring	Three-conductor grounded cord from fixture to switch on wall bracket with weather-tight fitting
Ambient operating temperature	-18°C to +50°C (NS option) +5°C to +50°C (standard)
Mounting	Zinc plated steel bracket 0.53 inch (13.5 mm) mounting hole clearance
Estimated weight	42 inch arm - 30.0 lb (13.6 kg) 60 inch arm - 36.0 lb (16.3 kg)
Warranty	5 years

Compliances

ETL/cETL Certified to:

- UL 1598 Suitable for Wet Locations
- CSA C22.2 No. 250.0-08

CE (pending)
IK10 (fixture)
LM79 and LM80 reports available

Contact factory for IES files

Ordering Information

Example: DLAW2-12LED-SP-42

Fixture	LED Count	Optic	Arm Length	Option
DLAW2	12LED	SP	42	NS
		FL	60	

LED Count	Optic	Arm Length	Option
12LED 12 LEDs, 9W, up to 1200 lumens	SP spot (25°) FL flood (50°)	42 42 inch arm 60 60 inch arm	NS No switch on junction box

Special Projects: We may be able to accommodate your special projects, so please don't hesitate to ask about additional options. Minimum order quantities and/or extended lead times will apply. Contact your Phoenix representative with specific inquiries.

Product design and specifications are subject to change without notice. The most current version of this specification sheet can be found on our website: www.phoenixlighting.com.