

Patents Pending

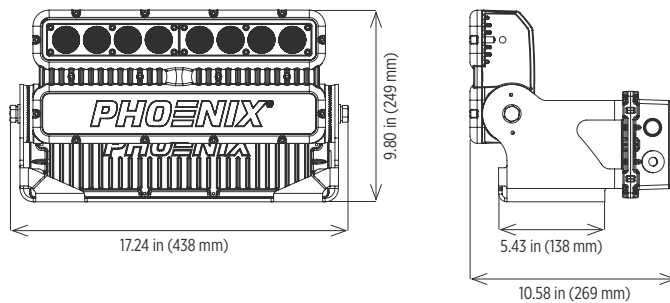


ModCom 2 Lo design delivers up to 14,000 lumens and replaces 400W HID fixtures  
ModCom 2 Hi design delivers up to 28,000 lumens and replaces 1000W HID fixtures  
ModCom 2 Max design delivers up to 42,000 lumens and replaces 1500W HID fixtures

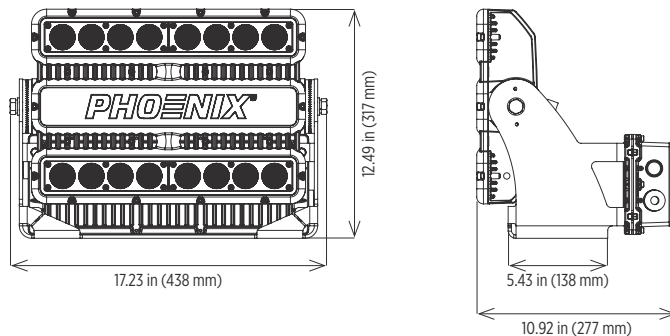
Designed to withstand the world's harshest marine environments  
LED technology increases efficiency, eliminates maintenance and supports green initiatives

### Dimensions

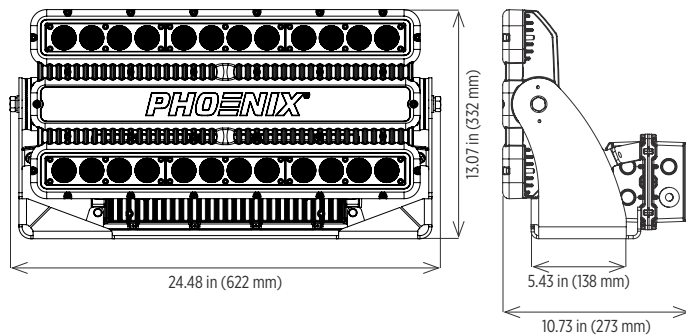
#### ModCom 2 Lo



#### ModCom 2 Hi



#### ModCom 2 Max



### Specifications

<b>Construction</b>	Marine grade cast aluminum housing Adjustable powder coated steel mounting harp
<b>Finish</b>	Black thermoset powder coat finish
<b>Hardware</b>	Marine grade (316) stainless steel
<b>Lens</b>	Clear, tempered glass Amber option (AM) - contact factory
<b>Light source</b>	Cree XHP 70 light emitting diodes (LED) Cool white (5000K) - standard Other CCT options available - contact factory 145W, up to 14,000 lumens (LO) 290W, up to 28,000 lumens (HI) 435W, up to 42,000 lumens (MAX) CRI > 70 - standard 50,000 hour rated life
<b>Power source</b>	10-50V DC; 120-277V, 50-60Hz; 277-480V, 50-60Hz Replaceable Overload, over-voltage, over-temperature and short-circuit protection
<b>Wiring</b>	72.00 inch (1829 mm) cord with pigtail Stranded wires Knockouts for continuous row mounting
<b>Ambient operating temperature</b>	-40°C to +50°C - standard -40°C to +40°C - amber
<b>Mounting</b>	Indexed aiming and lockable in 5° increments
<b>Estimated fixture weight</b>	LO, DC - 22.0 lb (10.0 kg) LO, AC - 29.0 lb (13.2 kg) HI, DC - 30.0 lb (13.6 kg) HI, AC - 39.0 lb (17.7 kg) MAX, AC - 52.0 lb (23.6 kg)
<b>Warranty</b>	5 years



### Compliances

---

ETL/cETL Certified to:

- UL 1598 Suitable for Wet Locations
- UL 1598A Marine Outside Type (Saltwater)
- UL 844 Hazardous Location (HAZ option)
  - Class I, Division 2 Groups A, B, C, D
  - Class I, Zone 2 Groups IIC
  - Class II, Division 2 Groups F & G
  - Class III
  - T3C, 160°C maximum surface temperature
- CSA C22.2 No. 250.0
- CSA C22.2 No. 137

CE

ABS

IP67 (LO & HI)

IP69K

LM79 and LM80 reports available



*ModCom® 2 Hi fixtures on a vessel*



## Ordering Information

Example: MC2-LO-MF-120-277

Fixture	Wattage	Optic	Voltage	Options
MC2	LO	MF	DC <sup>1,3,4</sup>	AM <sup>2</sup>
	HI	SP	120-277	HAZ
	MAX		277-480	

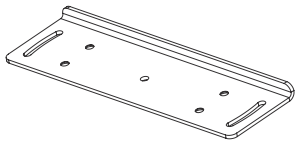
Wattage		Optic		Voltage		Options	
LO	145W	MF	Medium flood (SYM 303.3)	DC <sup>1,3,4</sup>	10-50V DC	AM <sup>2</sup>	Amber lens
HI	290W	SP	Spot (SYM 303.4)	120-277	120-277V, 50-60Hz	HAZ	UL 844 listed
MAX	435W			277-480	277-480V, 50-60Hz		

### Notes

- 1 Contact factory for more information
- 2 Lower light output than standard (5000K)
- 3 DC voltage not available on MAX fixtures
- 4 Wattage and lumen output may be less on DC models. Contact factory for details.

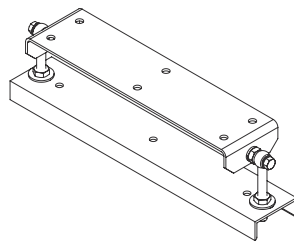
**Special Projects:** We may be able to accommodate your special projects, so please don't hesitate to ask about additional options. Minimum order quantities and/or extended lead times will apply. Contact your Phoenix representative with specific inquiries.

## Accessories (order separately)



### Mounting Adapter Bracket

AMB-MC2  
Adapts to original ModCom/MRSE mounting pattern (LO & HI fixtures only)



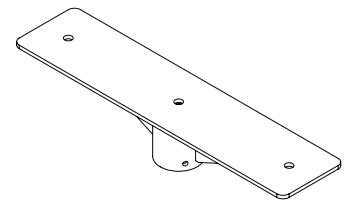
### Boom Mount Kit

BMKM-MC2 (LO & HI fixtures)  
BMKM (MAX fixtures)



### Safety Cable Kit

SFCB-MC2



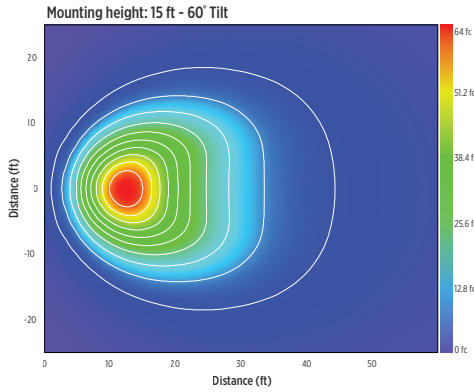
### 2 3/4 inch Tenon Mount

PTM-MC2 (LO & HI fixtures)  
MCPTM (MAX fixtures)

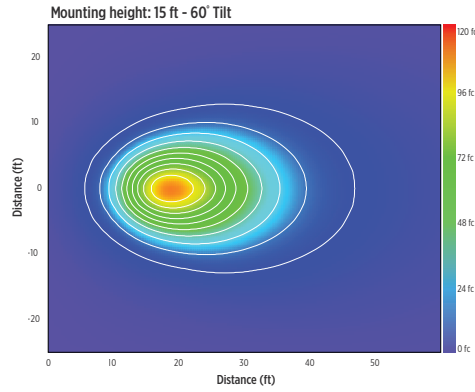


### Isolux Charts

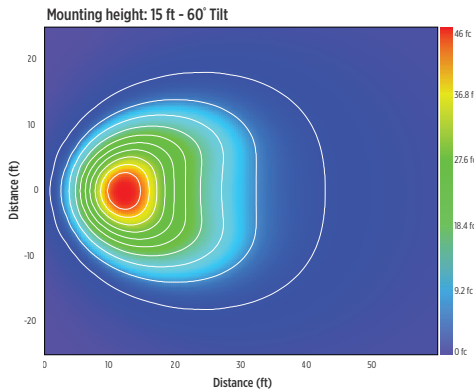
**ModCom 2 MAX - Medium Flood**



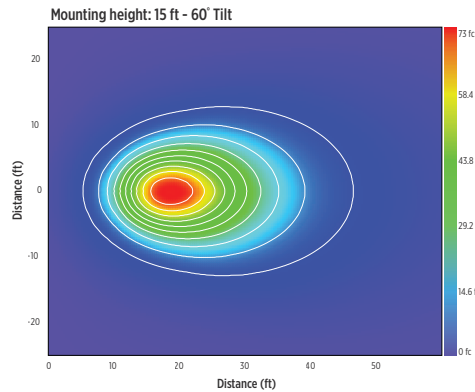
**ModCom 2 MAX - Spot**



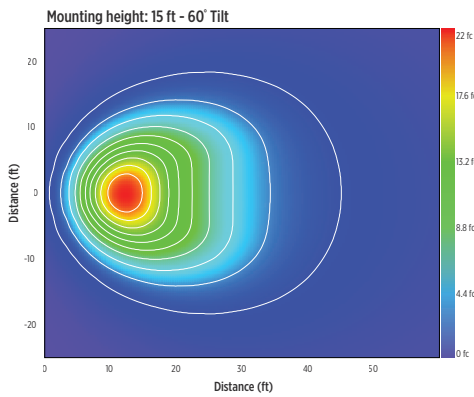
**ModCom 2 HI - Medium Flood**



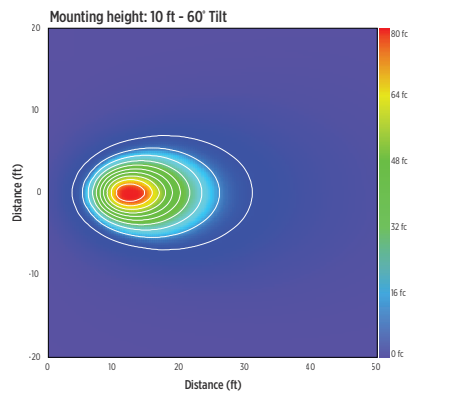
**ModCom 2 HI - Spot**



**ModCom 2 LO - Medium Flood**



**ModCom 2 LO - Spot**



Product design and specifications are subject to change without notice. The most current version of this specification sheet can be found on our website: [www.phoenixlighting.com](http://www.phoenixlighting.com).