



Our next-generation high mast fixture serving the ports and aviation markets

A purposefully designed high mast downlight with performance exceeding 130K lumens and > 140 lm/w system efficacy

Fixture will typically mount to a horizontal arm and offer flexible optical patterns, field adjustable optical control, glare shielding, and high-voltage surge protection

Key Applications

Large area high mast
Roadway high mast
Shipyards high mast
Container yard high mast
Aviation ramps and aprons
Prison large areas
Military bases
Industrial facilities

Compliances

UL/cUL Certified to:

- UL 1598 Suitable for Wet Locations

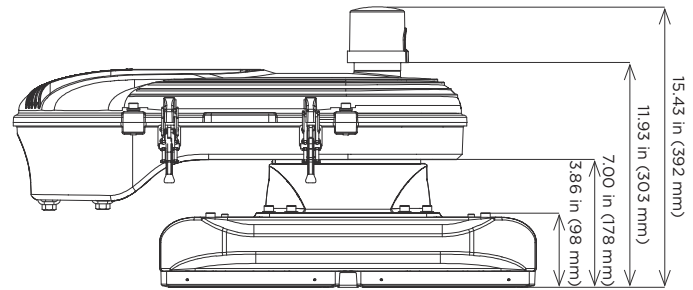
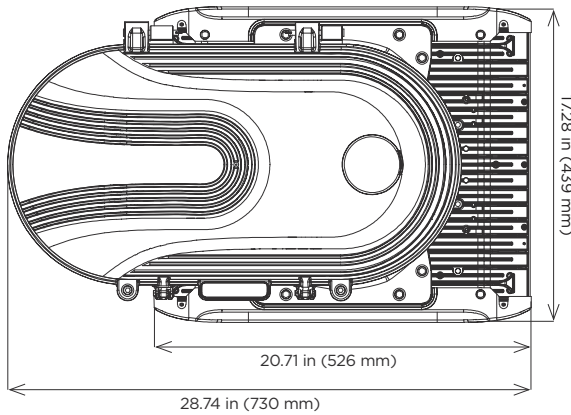
 CE
 IP66
 ROHS

Specifications

Construction	High-strength, marine grade die-cast aluminum
Finish	Weather-resistant powder coat
Hardware	Marine grade stainless steel
Light source	960W, up to 130,000 lumens CCT: Super cool white (5700K), cool white (5000K), neutral white (4000K)
Lens	UV-resistant, polycarbonate lens Field rotatable optics (0 - 350° rotation)
Power source	120 - 277V or 277 - 480V, 50/60 Hz
Power factor	> 0.9 at 277V
THD	< 15%
Ambient operating temperature	-30°C to +50°C
Mounting	+/- 5° tilt, fits mast arm 1.65 - 2.375 inch (42 - 60 mm OD)
Operating lifetime	L80 > 100,000 hours per TM-21
Fixture weight	960W model - 69 lb (31.5 kg)
Dimensions	28.7 in (730 mm) x 17.3 in (439 mm) x 11 in (283 mm)
Vibration	ANSI C136.31 3G
Salt Spray	1000 hrs per ASTM B117
Warranty	5 years

For IES files, see website or contact factory

Dimensions



Ordering Information

Example: SOA-960W-D-LX-277-480-40K

Series	Wattage	Dimming	Optic	Voltage	CCT
SOA	960W	D ²	LZ	120-277	40K ¹
			LV	277-480 ¹	50K
			LX ¹		57K

Wattage

960 Up to 960W and 130,000 lumens

Dimming

D² Dimmable

Optic

LZ Type II
LV Type IV
LX¹ Type V

Voltage

120-277 120-277V, 50/60Hz
277-480¹ 277-480V, 50/60Hz

CCT

40K¹ 4000K
50K 5000K
57K 5700K

Notes

- 1 Indicates standard option for fast delivery
- 2 Comes standard with 7-pin twistlock receptacle and shorting cap

Special Projects: We may be able to accommodate your special projects, so please don't hesitate to ask about additional options. Minimum order quantities and/or extended lead times will apply. Contact your Phoenix representative with specific inquiries.

Product design and specifications are subject to change without notice. The most current version of this specification sheet can be found at www.phoenixlighting.com.