



**DYNAMIC**

LOAD TESTING

*Pulling the weight to get the job done*



---

Dynamic Load testing specialise in the rental and sales of equipment associated with load testing. With access to a large worldwide stock of various water filled proof load bags, load measuring devices and rigging equipment we are able to offer the best solution for each job.

We also specialise in turn-key load testing services, as well as crane inspections, maintenance and repairs, providing experienced and well trained engineers. In addition, we provide calibration of portable load measuring devices of nearly any brand.

With over 40 years of combined experience in the branche we are proud to offer our load testing solutions worldwide in cooperation with our growing network of partners.

---

## Avoid high costs

Rental means no purchase investments, storage costs, inspection costs, maintenance costs, certificate costs or repair costs.

## Lowest downtime

In case something happens and the rented equipment appears to be unusable, we will arrange a replacement immediately. You do not have to worry about project delays.

## The right choice of equipment

We stock a wide range of different capacities of certified testing and load measuring equipment including all necessary rigging.

## Rentals, sales and custom builds

Our load testing equipment is available for hire, purchase and we can even manufacture custom builds for all your projects.

# OFFERING THE FULL SERVICE PACKAGE

## Your one-stop service partner

Our goal is to be your one-stop service partner in Europe to minimise downtime of your equipment, cranes, gangways, life-saving appliances and more. We offer load testing services, LSA services and crane services combined to carry out all your requirements with fast, reliable services for competitive prices.

## Load testing services

We have engineers and all the equipment available to proof load test cranes, davits, gangways, bridges & other constructions. Our engineers will always adhere to the strict safety regulations on site. All our equipment is fully certified and ready to be deployed in Europe.

## Life saving appliances, firefighting and crane services

We have a growing partner network in Europe and can offer LSA services and allround fire fighting services as well as crane inspections, maintenance and repairs. We are your direct line for all your requirements.

## Calibrations and inspections

Servicing of customer owned load testing equipment includes inspection, repair and certification of water bags, dynamometers, lifting equipment and load cell calibrations. In case fine-tuning of your load measuring device is necessary we can do that as well!

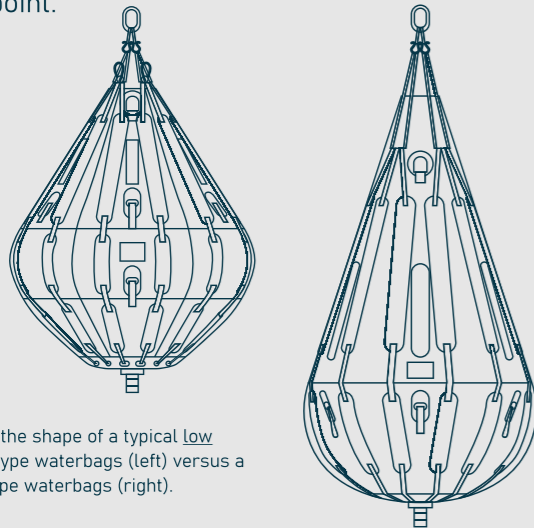
# THE BENEFITS OF EQUIPMENT RENTAL

### Waterbags for suspended loads

Water Bags are used for load testing cranes, davits, beams and all other load bearing structures. Different capacities and types are available to cover all your needs. Spreader beams are available on request and can be used to achieve loads over 1000 tonnes.

Any load up to hundreds of tonnes are easily achieved by combining multiple Water Bags together. The Standard Water Bags are designed to be used in groups where three or four can be suspended from a single point. Specialised load measuring equipment is used to measure the exact load.

A range of special designed Low Headroom Water Bags are available for testing in areas with restricted height, to be used as single bag from a single point.



Comparing the shape of a typical low headroom type waterbags (left) versus a standard type waterbags (right).

### Quality Guaranteed

Skin material: PVC coated, woven polyester fibre  
 Strength : 1680 g/m2 - 2200 dtex 3x3 weave  
 Tear resistance : 1500 - 1700 N  
 Material Weight : 1680 g/m2  
 Physical type test: 2:1 up to 6:1 (depending on type)  
 Safety factor: 6:1



### Features & Benefits

- Flexible, robust and easy to use
- Foldable for storage and transport
- Single lifting point for ease of use
- Available in yellow/orange, orange or yellow
- Custom builds are available for purchase
- Emptying trunk fitted with pulley and rope or valve.

### Dynamic Water Bags - Standard type

Model	General				During Operation			Storage & Transport			
	SWL (tonne)	Net Wgt. (kg)	Availability Rent	Sale	Height empty (m)	Height filled (m)	Diameter filled (m)	Length (m)	Width (m)	Height (m)	Full Wgt. incl. Packing
WB-01-S	1,00	25	●	●	2,50	2,40	1,20	1,20	0,80	0,78	65
WB-02-S	2,00	45	●	●	3,90	3,70	1,70	1,20	0,80	0,78	85
WB-03-S	3,00	65	●	●	4,40	4,10	2,00	1,20	0,80	0,78	105
WB-05-S	5,00	95	●	●	4,90	4,60	2,10	1,20	0,80	0,78	135
WB-10-S	10,00	145	●	●	6,10	5,80	2,40	1,20	1,00	0,96	198
WB-20-S	20,00	230	●	●	6,20	5,80	3,70	1,20	1,20	0,96	283
WB-25-S	25,00	245	●	●	6,60	6,10	3,80	1,20	1,20	0,96	305
WB-35-S	35,00	345	●	●	7,60	7,00	4,20	1,20	1,20	0,96	405
WB-50-S	50,00	500	●	●	8,90	8,50	4,60	1,60	1,30	1,25	610
WB-55-S	55,00	550	●	●	9,40	8,90	4,80	1,60	1,30	1,25	660
WB-110-S	110,00	1250	●	●	13,00	12,00	5,90	1,80	1,60	1,40	1650

### Dynamic Water Bags - Low Headroom

Model	General				During Operation			Storage & Transport			
	SWL (tonne)	Net Wgt. (kg)	Availability Rent	Sale	Height empty (m)	Height filled (m)	Diameter filled (m)	Length (m)	Width (m)	Height (m)	Full Wgt. incl. Packing
WB-01-L	1,00	25	●	●	1,65	1,50	1,50	1,20	0,80	0,78	63
WB-02-L	2,00	45	●	●	2,20	1,80	1,80	1,20	0,80	0,78	78
WB-03-L	3,00	68	●	●	2,90	2,30	2,10	1,20	0,80	0,78	100
WB-05-L	5,00	100	●	●	3,80	3,40	2,30	1,20	0,80	0,78	137
WB-6,5-L	6,50	120	●	●	4,20	3,70	2,30	1,20	1,00	0,96	173
WB-12,5-L	12,50	150	●	●	5,20	4,70	2,80	1,20	1,00	0,96	203
WB-15-L	15,00	200	●	●	5,70	5,10	2,80	1,20	1,00	0,96	253

### Lifeboats, Gangways & more

Our Lifeboat Bags & Gangway bags are recognizable due to their cylindrical shape.

However these bags are originally designed to proof load test lifeboats and gangways, they are also used to test a versatile range of load bearing objects. Think of loading ramps, lifts, platforms & small bridges. Multiple bags can be used together to achieve any desired load.

### The LBB type

The Lifeboat Bags (LBB) are smaller and easy to fit in all kinds of lifeboats. By using our lifeboat test kit you do not have to access the lifeboat during testing. Our pumps and manifold can be used to fill and empty multiple bags at the same time.

### The GWB type

The Gangway Bags (GWB) are slightly bigger, and have been designed for testing gangways, accomodation ladders and other structures.



Lifeboat & Gangway testing bags are used in a wide variety of applications, also including more specific jobs like ramps and platforms.

### Accessories

All accessories like air-pumps, manifolds and hoses are included in each rental kit.

### Standard Fittings

- 2 PSI overpressure relief valve
- 1" camlock ball valve fitting for filling/draining
- Handling straps for easy handling

### Quality Guaranteed

Skin material: PVC coated, woven polyester fibre  
 Strength : 1680 g/m2 - 2200 dtex 3x3 weave  
 Tear resistance : 1500 - 1700 N  
 Material Weight : 1680 g/m2



### Dynamic Life Boat & Gangway Testing Bags

Below are the most common capacities, but we can supply other capacities as well on request

Model	General				During Operation		Storage & Transport			
	Net Wgt. (kg)	Capacity (kg)	Availability Rent	Sale	Diameter filled (m)	Length filled (m)	Length (m)	Width (m)	Height (m)	Full Wgt. Incl. Packing (kg)
LBB-100	8	100	●	●	0,32	1,24	0,50	0,25	0,25	-
LBB-200	9	200		●	0,47	1,36	0,75	0,25	0,25	-
LBB-250	10	250		●	0,47	1,45	0,75	0,25	0,25	-
LBB-350	12	350		●	0,47	2,00	0,75	0,30	0,30	-
LBB-375	12	375	●	●	0,47	2,17	0,75	0,30	0,30	-
LBB-500	16	500		●	0,50	2,60	0,80	0,35	0,35	-
GWB-1000	19	1000	●	●	0,68	2,78	1,00	0,45	0,45	-
GWB-1500	23	1500	●	●	0,68	4,13	1,00	0,55	0,55	-
LBB-100-16-SET		1600	●	●	16 Bags 100kg, Filling hoses, Manifold and Air-driven Emptying pump		1,20	1,20	0,97	230
LBB-375-08-SET		3000	●	●	8 Bags 375kg, Filling hoses, Manifold and Air-driven Emptying pump		1,20	1,20	0,78	204
LBB-375-12-SET		4500	●	●	12 Bags 375kg, Filling hoses, Manifold and Air-driven Emptying pump		1,20	1,20	0,78	252
LBB-375-16-SET		6000	●	●	16 Bags 375kg, Filling hoses, Manifold and Air-driven Emptying pump		1,20	1,20	0,78	300



## Open Floor Testing Bags

Specially designed for testing larger gangways, platforms, structures and even bridges. Available in sizes from 1.000 to 70.000 litres. These bags have an open top as a standard and are easy to fill and drain. They are designed to evenly distribute weight across the load test area.

### Features & Benefits

- Lightweight and foldable saving transport costs
- Custom design possible
- 1" to 4" gate/butterfly and ball valves, incorporating Camlock, Guillemain or Storz filling connections



## Enclosed Floor Testing Bags

Like all our bags, these enclosed floor testing bags are easy to use, very flexible and can be used in combination with other bags to achieve heavy weights spread evenly across the surface. Mostly used on gangways, ferry ramps, ballasting for ships

### Features & Benefits

- Fitted with overpressure relief valve
- Handling straps for easy handling
- 1" to 4" filling valves, multiple types of filling connections available.



conversion, general floor testing, structural integrity and elevator testing. Our standard units range from 500 kilogram to 16 metric tonnes, but we have the ability to supply bespoke units as well. We also provide all the necessary accessories for filling multiple bags at the same time, like manifolds, flowmeters, air-pumps and hoses.

## Parachute Lift Bags

The Parachute Lift Bags are specially designed for underwater operations. The single point attachment is easy to use for underwater salvage operations, lifting operations, supporting operations and structure lightening operations.

Bags from 3 metric tonnes benefit from a top mounted 3/4" inlet valve assembly and quick release camlock coupling. All bags are delivered with a log book and type test certificate.

All our ranges from 25 Kilogram to 50 metric tonnes have been independently TUV/NEL type tested in excess of 6:1 to ensure compliance the IMCA D-016 REV 4 guidelines, and are manufactured in an BS EN ISO 9001:2008 environment.



### Reliable to the core

All our bags are made from the same European quality material, which means they are robust, lightweight, easy to fold/store/transport and are highly resistant to damage even in the most harshest underwater environments.



## Parachute Lift Bags

Illustration comparing a 25kg, 250kg, 1000kg and 10000kg parachute lift bag.



Small dump valves as used on 25-500kg parachute lift bags.

Large dump valves as used on 1000-5000kg parachute lift bags.

3/4" fill valve as use on all 3000-50000kg parachute lift bags.

Model	General		Dimensions		Specification			
	Capacity (kg)	Availability Rent Sale	Height (m)	Diameter (m)	Material specification	Small Dump valve	Large Dump valve	3/4" Fill valve
PBO-25	25	●	0,38	0,40	2x2 PVC 900gsm (26 oz/yd2)	●		
PBO-50	50	●	0,53	0,51		●		
PBO-100	100	●	0,77	0,61		●		
PBO-250	250	●	1,00	0,81		●		
PBO-500	500	●	1,25	1,10		●		
PBO-1000	1000	●	1,49	1,33	3x3 PVC 1680gsm (50 oz/yd2)		●	
PBO-2000	2000	●	1,95	1,65			●	
PBO-3000	3000	●	2,19	1,90			●	●
PBO-5000	5000	●	2,59	2,25			●	●
PBO-10000	10000	●	3,96	2,55			●	●
PBO-20000	20000	●	4,40	3,50			●	●
PBO-35000	35000	●	5,30	4,20			●	●
PBO-50000	55000	●	5,60	5,00			●	●

### Load Links

Load links (also known as dynamometers) are the most commonly used devices when it comes to tension-load monitoring. They are accurate and extremely reliable. The Load Links have a robust but light weight design, making them excellent for use in mobile applications.

Dynamic Load Testing offers load links from 1 ton up to 500 ton. All our Load Links are tested and fully certified. As a standard these are supplied as wireless devices with remote display, however specialised and cabled versions could also be supplied.

Ready-to-use laptops for data logging are directly available from our rental stock!



### Specials

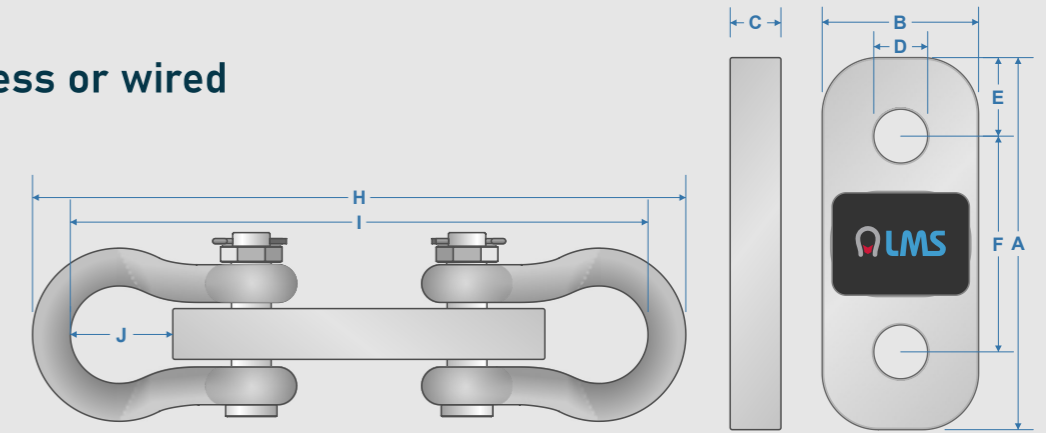
Load links could be supplied wireless or cabled. Subsea versions, as well as ATEX zone 1, 2 and 3 and other specials are available on request.



### Details

- Safety factor of 5:1.
- Data logging software available.
- Accuracy of 0,5% of applied tensile load.
- Shackles, displays, transport cases available
- Integral signal conditioning.
- Every unit load tested and certified
- Up to 12 wireless load measuring devices can be connected to one display for individual values or summed load values.

### Load Links - Wireless or wired



Model	General			Body Dimensions (mm)							Incl Shackles (mm)			
	SWL (tonne)	Availability Rent	Sale	A	B	C	D	E	F	Wgt. (kg)	H	I	J	Wgt. Incl Shackles (kg)
LL 1	1,00	●	●	60	183	31	20	25	117	0,65	221	201	25	0,60
LL 3.25	3,25	●	●	60	183	31	23	25	133	0,65	312	280	48	2,10
LL 6.5	6,50	●	●	84	238	32	27	38	162	1,35	397	353	57	5,04
LL 13.5	13,50	●	●	84	292	45	40	55	182	2,30	556	486	97	19,08
LL 17	17,00	●	●	93	302	50	43	60	182	3,00	592	516	107	22,88
LL 25	25,00	●	●	127	332	60	55	63	206	5,70	702	612	140	35,44
LL 35	35,00	●	●	137	386	70	61	80	226	8,25	777	677	146	51,06
LL 55	55,00	●	●	163	466	75	75	90	286	16,00	1006	876	205	94,18
LL 85	85,00	●	●	198	518	104	86	104	310	23,45	1201	1051	267	147,00
LL 100	120,00	●	●	236	610	105	100	130	350	36,05	1435	1245	318	257,00
LL 150	150,00	●	●	272	695	136	118	150	395	59,50	1533	1323	314	383,00
LL 200	200,00	●	●	331	769	150	135	175	419	89,50	1815	1575	403	563,00
LL 250	250,00	●	●	353	829	175	145	180	469	123,50	1977	1717	444	705,00
LL 300	300,00	●	●	398	937	190	158	210	517	167,00	2183	1903	483	866,00
LL 400	400,00	●	●	490	1037	198	180	245	547	251,00	2398	2058	511	1348,00
LL 500	500,00	●	●	540	1137	198	190	265	607	311,00	2588	2228	546	1673,00



### Load Pin Shackles

Load Pin Shackles provide a robust and flexible solution for monitoring tensile load. They are used for all types of lifting, static, pulling or weighing applications. The Load Pin Shackles are available in capacities ranging from 2 up to 2000 tonne.

The Load Pin Shackles are standard supplied as wireless devices with a remote display, but we also have specialised cable versions available.

Ready-to-use laptops for data logging are directly available from our rental stock!

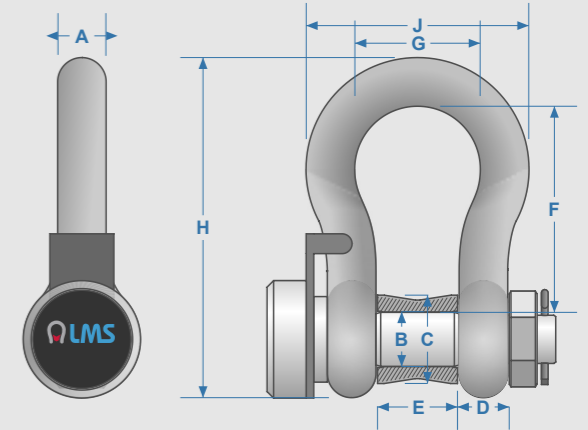
### Rentals

\*Load Pin Shackles are available for rent, but not directly from our local stock. We will need a few days in advance to prepare the equipment for your project.

### Specials

Load shackles could be supplied wireless or cabled. Subsea versions, as well as ATEX zone 1, 2 and 3 and other specials are available on request.

### Load Pin Shackles - Wireless or wired



### Details

- Safety factor of 5:1.
- Data logging software available.
- Accuracy of 0,5% of applied tensile load.
- Shackles, displays, transport cases available
- Integral signal conditioning.
- Load Pins from high-strength stainless steel.
- Design uses VanBeest™ Greenpin® shackles as standard, others available on request.
- Every unit load tested and certified
- Up to 12 wireless load measuring devices can be connected to one display for individual values or summed load values.

Model	General			Load Shackle Dimensions (mm)									Wgt. (kg)
	SWL (tonne)	Availability Rent*	Sale	A	B	C	D	E	F	G	H	J	
LS 3.25	3,25	☺	●	16	19	38	16	26	63	43	110	75	1,70
LS 4.75	4,75	☺	●	19	22	46	19	31	76	51	129	89	1,90
LS 6.5	6,50	☺	●	22	25	50	22	36	83	58	143	102	3,20
LS 13.5	13,50	☺	●	35	38	70	35	57	133	92	227	238	6,54
LS 25	25,00	☺	●	45	50	89	45	74	178	126	300	216	14,22
LS 35	35,00	☺	●	50	57	97	50	83	197	138	331	238	19,85
LS 55	55,00	☺	●	65	70	121	65	105	260	180	433	310	39,59
LS 85	85,00	☺	●	75	83	138	73	127	329	190	527	340	62,00
LS 120	120,00	☺	●	95	95	158	91	147	400	238	647	428	110,00
LS 150	150,00	☺	●	105	108	205	102	169	410	275	688	485	160,00
LS 200	200,00	☺	●	120	130	218	113	179	513	290	838	530	235,00
LS 250	250,00	☺	●	130	140	228	118	205	554	305	904	565	285,00
LS 300	300,00	☺	●	140	150	245	123	205	618	305	996	585	340,00
LS 400	400,00	☺	●	170	175	272	164	231	668	325	1114	665	560,00
LS 500	500,00	☺	●	180	185	288	164	256	718	350	1190	710	685,00
LS 600	600,00	☺	●	200	205	302	189	282	718	375	1243	775	880,00

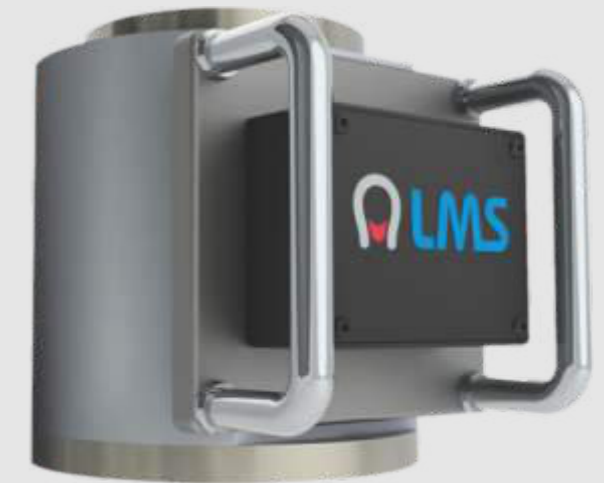


## Compression Load Cells

The compact and robust stainless steel design can be used for weighing, force measurement and calibration. Standard capacities range from 2 ton to 1000 ton, accuracy better than 1% and each unit is proof loaded and certified.

### Features & Benefits

- Safety factor of 5:1
- Enclosure standard IP67 rated
- Output mV, mA, V, RS232 others on request
- Integral signal conditioning available
- Subsea variants available on request



## Padeye testers

Allows you to proof test your pad eyes to ensure a successful lift. Lightweight, portable tool for testing pad eyes, lifting lugs and eye bolts. Models are available up to 50 ton proof test capacity. The model includes a digital display and handheld display, all packed in a carrying case.

### Features & Benefits

- Proof tested & calibrated
- Very lightweight and portable
- Assist handles on two sides
- Two-speed hand pump with locking handle



Every unit has a heads up display (no need for analogue pressure gauges, unit conversions and manually collecting data. All units have the ability to transmit wireless data to the handheld display and there are options for wireless data logging.

## Running Line Tension Meters

To be used for winch, crane, towing, laying and tensioning applications. We have access to various units for all rope sizes up to 104mm.

### Features & Benefits

- Line mounted with tether/swivel mount as standard with other options available as well
- Line capacities up to 250 ton
- Rugged for operations in the most extreme environments
- Custom mounts available on request

All units are calibrated to your desired rope size without additional costs. Special wire types should be discussed for each project.

Each unit will be supplied with a handheld display and data logging software is available on request.



## Rigging rentals

Dynamic also offers a wide range of rigging equipment, such as (modular) spreader beams, Roundslings and Shackles from small to heavy lift size.

Together with our partners the best solution for your lifting challenge could be provided. This also makes sure that combined with water bags the load testing capabilities are much more versatile than ever.

Please contact us for more information.





Dynamic Load testing  
Leemanstraat 15  
3364 AG Sliedrecht  
  
The Netherlands  
[www.dynamic-lt.nl](http://www.dynamic-lt.nl)



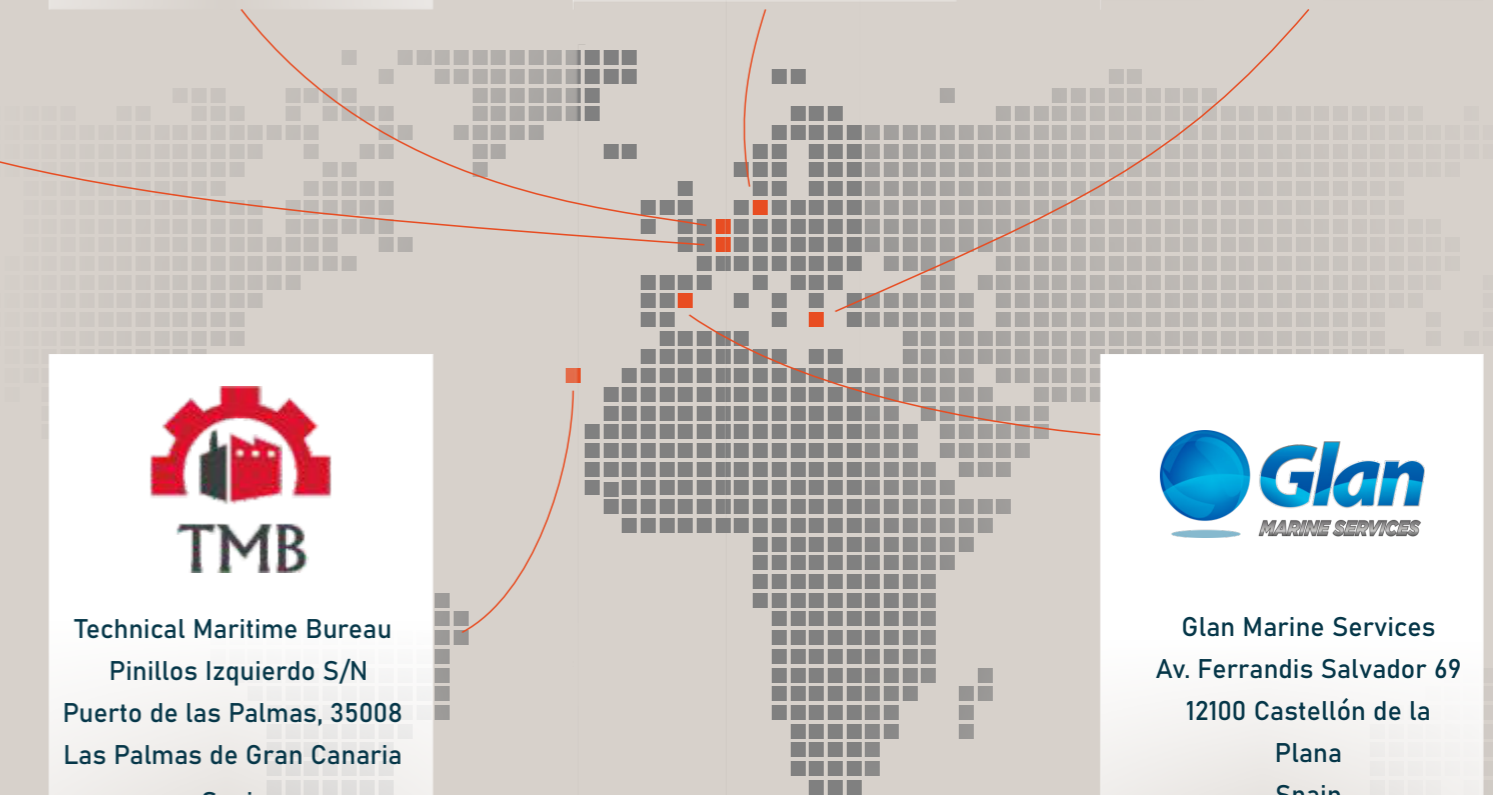
CN Hijstechniek BV  
Beneluxweg 7  
9636 HV Zuidbroek  
  
The Netherlands  
[www.cnhijstechniek.nl](http://www.cnhijstechniek.nl)



VFR Safety GmbH  
Bilwerder Ring 7  
21035 Hamburg  
  
Germany  
[www.vfr-safety.de](http://www.vfr-safety.de)



CGMS Marine Services  
Dragatsaniou 68A str.  
185 45, Pireaus  
  
Greece  
[www.cgms.gr](http://www.cgms.gr)



Technical Maritime Bureau  
Pinillos Izquierdo S/N  
Puerto de las Palmas, 35008  
Las Palmas de Gran Canaria  
Spain  
[www.technicalmb.net](http://www.technicalmb.net)



Glan Marine Services  
Av. Ferrandis Salvador 69  
12100 Castellón de la  
Plana  
Spain  
[www.glansrl.net](http://www.glansrl.net)

# EXPANDING NETWORK OF PARTNERS WORLDWIDE



Oblo Energy Services

11 Tombia Street  
GRA Phase 2 - Pt  
Harcourt Rivers State

Nigeria  
[www.obloenergy.com](http://www.obloenergy.com)



OMEGA

Via Isola Saloni 59  
30015 - Chioggia Venezia

Italy  
[www.omegachioggia.it](http://www.omegachioggia.it)



MPI - Matériels  
Portuaires et Industriels

273 Blvd, Jules Durand  
76600 Le Havre

France  
[www.mpi-sa.fr](http://www.mpi-sa.fr)



Triton Load Testing

3, Landier Street, Mosta  
MST 4000

Malta  
[www.tritondivingservices.com](http://www.tritondivingservices.com)

EXPANDING NETWORK OF  
**PARTNERS WORLDWIDE**



*Pulling the weight to get the job done*



Load Testing Services

Test Equipment Rental & Sales

Water-filled Test Weight Inspections

Load Monitoring Equipment Calibrations

Crane inspections, Maintenance and Repairs

LSA Services

**DYNAMIC LOAD TESTING**

Leemansstraat 15  
3364AG Sliedrecht  
The Netherlands

[www.dynamic-lt.nl](http://www.dynamic-lt.nl)  
[info@dynamic-lt.nl](mailto:info@dynamic-lt.nl)  
+31 184 234 080